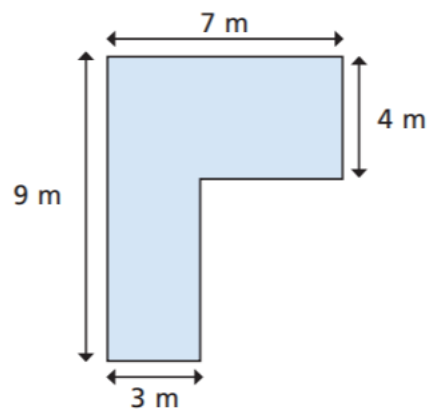
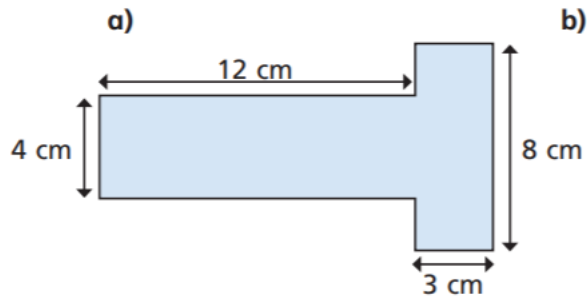


Snorkelling

3 Work out the area of each of the following shapes.

Show all your working.



**RPQ**

Which shape has the largest area and why?

Can you calculate what the perimeter would be for shape A and B?